

LEGACY

SPECIFICATIONS

LWFX107

LWFX127



About Legacy LWFY- Series Woofer

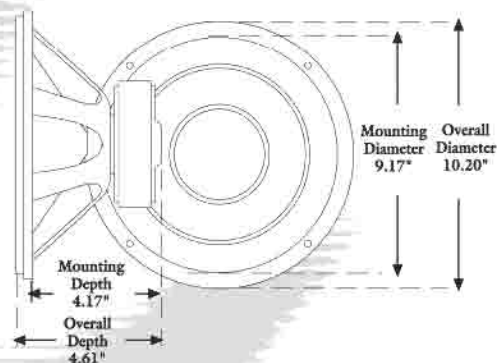
Congratulations!

You have just purchased one of our high quality Legacy woofer. LWFY-Series Woofer is carefully designed & manufactured for vehicle use. They could deliver consistent and high performance.

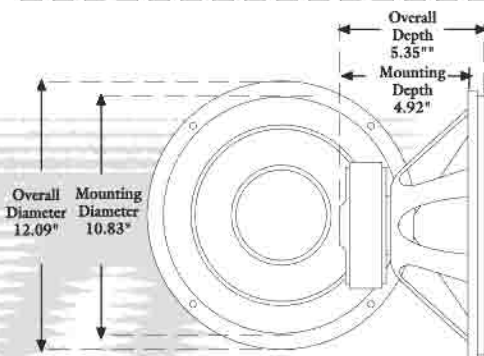
The General Features of Legacy LWFY-Series Woofer

- Brown injected polypropylene cone
- Specially treated wide rubber edge suspension
- Bumped & vented motor structure
- High temperature kapton voice coil
- Heavy magnet structure
- 4 Ohm impedance

LWFX107



LWFX127



Performance Parameters	LWFX107	LWFX127
Power (Watts Peak)	600	800
Nom. Impedance	4	4
Voice Coil	1.5"	2"
Magnet Structure	70	80
Fs (Hz)	42.3	36.9
Qms	3.44	3.81
Qes	0.98	0.84
Qts	0.61	0.72
SPL (dB)	94.4	95.5
Vas (cu ft)	1.370	2.189

Legacy LWFX-Series continually strives to improve the performance and value of its products - all specifications are subject to change.

MANUFACTURER'S LIMITED FIVE YEAR WARRANTY

LEGACY AUDIO CORP. warrants this unit to be free from defective material or workmanship and will repair or replace this unit or any part thereof if it proves defective in normal use or service within five (5) years from the date of original purchase.

Our obligation under this warranty is limited to the repairing or replacing, at our discretion, the defective instrument or any part thereof when it is returned, transportation prepaid to the Legacy Service Center at the address below. This warranty will be considered void if the unit has been tampered with, improperly serviced, subjected to abuse or misuse or if installed in a commercial vehicle. This warranty does not cover accidental damage. When returning this unit for service, please include \$10.00 for return postage and handling. Send your unit to:

**LEGACY SERVICE CENTER
1600-63rd Street
Brooklyn, New York 11204 USA**

IMPORTANT: Pack carefully in original carton if possible. We are not responsible for damage incurred in returning items for repair. A letter stating your exact street address, daytime phone number and the problem you are experiencing should be included. You must also enclose a copy of the original receipt as proof of date of purchase.

Register Online@www.legacycaraudio.com